



KUBOTA UNIVERSITY
CAPABLE. CONFIDENT. KUBOTA.

MX Series Loader Specifications



Winter 2014



LA1065 Loader Specifications

Loader Model	LA1065
Tractor Model	MX4800, MX5200, MX5800

9Y1211064INI0005US0

[1] LOADER SPECIFICATIONS

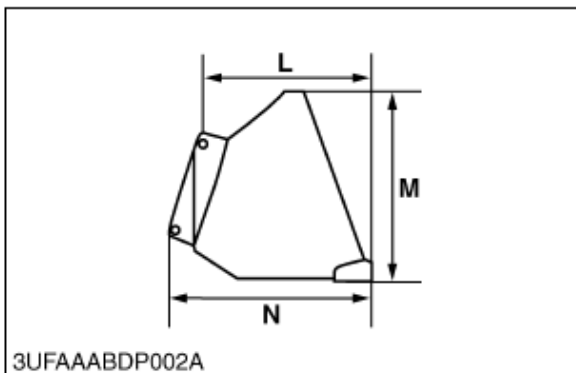
Loader Model	LA1065	
Tractor Model	MX4800, MX5200, MX5800	
Wheel Base	1895 mm (74.6 in.)	
Front Tires	9.5-16	
Rear Tires	14.9-26	
Boom Cylinder	Bore	60.0 mm (2.36 in.)
	Stroke	496 mm (19.5 in.)
Bucket Cylinder	Bore	55.0 mm (2.17 in.)
	Stroke	469 mm (18.5 in.)
Control Valve	3 position bucket control type	One Detent Float Position, Regenerative Bucket Dump, Power Beyond Circuit
Rated Flow	35.8 L/min. 9.5 U.S. gals/min. 7.87 Imp. gals/min.	
Maximum Pressure	18.1 MPa 185 kgf/cm ² 2631 psi	
Net Weight (Approximate)	600 kg (1322 lbs)	

9Y1211064INI0006US0

[2] BUCKET SPECIFICATIONS

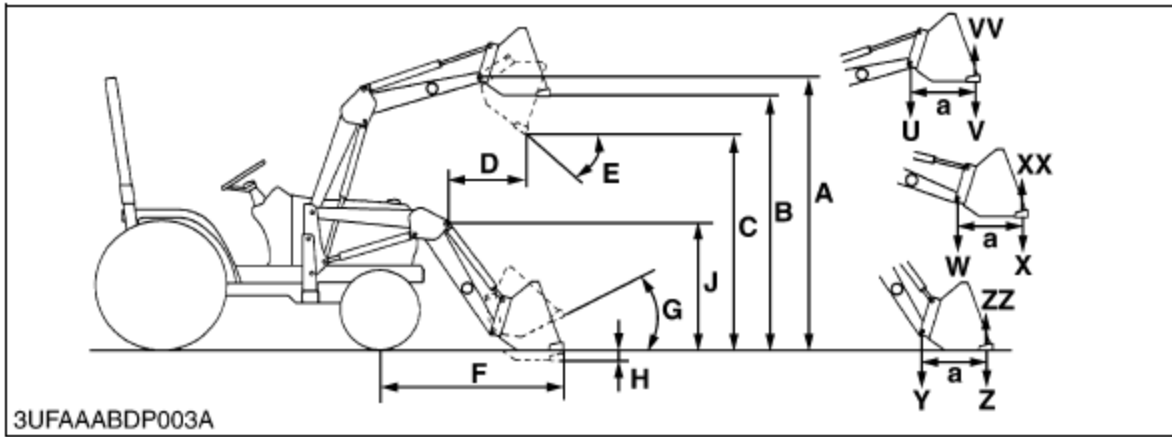
Loader Model	LA1065		
Model	SQUARE 72"	ROUND 72" HD	SQUARE 72" LIGHT MATERIAL
Type	Quick Attach		
Width	1830 mm (72 in.)		
Depth "L"	547 mm (21.5 in.)	477 mm (18.8 in.)	607 mm (23.9 in.)
Height "M"	570 mm (22.4 in.)	608 mm (23.9 in.)	570 mm (22.4 in.)
Length "N"	630 mm (24.8 in.)	610 mm (24 in.)	691 mm (27.2 in.)
Capacity	Struck	0.31 m ³ (10.9 cu.ft.)	
	Heaped	0.37 m ³ (13.1 cu.ft.)	
Weight	150 kg (331 lbs)	180 kg (397 lbs)	136 kg (300 lbs)

9Y1211064INI0007US0



LA1065 Loader Specifications

[3] DIMENSIONAL SPECIFICATIONS



a: 500 mm (19.7 in.)

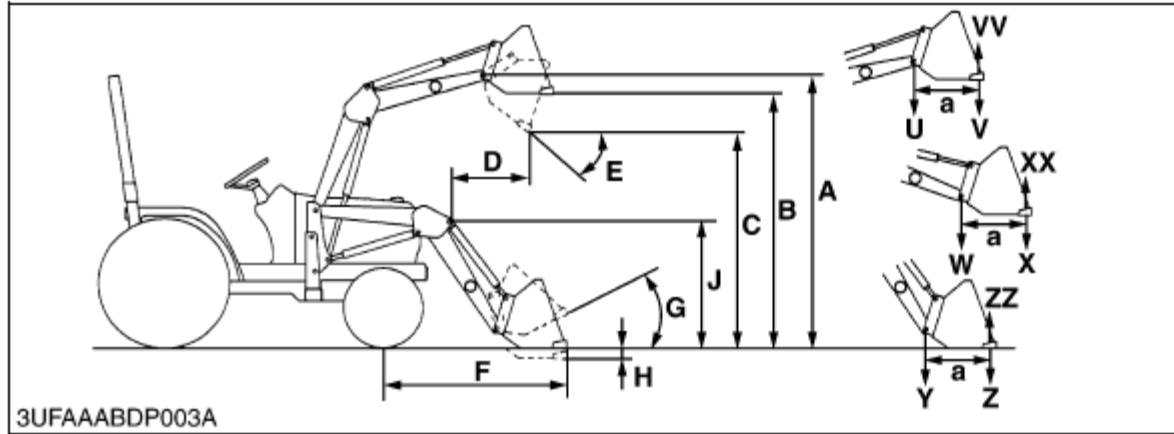
Loader Model		LA1065
Tractor Model		MX4800, MX5200, MX5800
A	Maximum lift height (To bucket pivot pin)	2824 mm (111.2 in.)
B	Maximum lift height under level bucket	2620 mm (103.1 in.)
C	Clearance with bucket dumped	2172 mm (85.5 in.)
D	Reach at maximum lift height (Dumping Reach)	662 mm (26.1 in.)
E	Maximum dump angle	0.80 rad (46 °)
F	Reach with bucket on ground	1985 mm (78.1 in.)
G	Bucket roll-back angle	0.73 rad (42 °)
H	Digging depth	213 mm (8.4 in.)
J	Overall height in carrying position	1414 mm (55.7 in.)

9Y1211064INI0008US0

LA1065 Loader Specifications

[4] OPERATIONAL SPECIFICATIONS

(1) Specifications Table



a: 500 mm (19.7 in.)

Loader Model		LA1065
Tractor Model		MX4800, MX5200, MX5800
U	Lift capacity to maximum height at bucket pivot pin	1032 kg (2275 lbs)
V	Lift capacity to maximum height at 500 mm (19.7 in.) forward	767 kg (1691 lbs)
W	Lift capacity to 1.5 m (59 in.) height at bucket pivot pin	1299 mm (2864 in.)
X	Lift capacity to 1.5 m (59 in.) height at 500 mm (19.7 in.) forward	1052 kg (2319 lbs)
Y	Breakout force at bucket pivot pin	17709 N (3981 lbf)
Z	Breakout force at 500 mm (19.7 in.) forward	13798 N (3102 lbf)
VV	Bucket roll-back force at Maximum height	11780 N (2648 lbf)
XX	Bucket roll-back force at 1.5 m (59 in.) lift height	18297 N (4113 lbf)
ZZ	Bucket roll-back force at ground level	18894 N (4248 lbf)
Raising time		4.4 sec.
Lowering time		3.0 sec.
Bucket dumping time		1.9 sec.
Bucket roll-back time		2.4 sec.

9Y1211064INI0009US0

Legal Disclaimer

To the best of Kubota's knowledge, all information included in this presentation is either owned by Kubota or falls under the fair use or public domain guidelines of copyright law in the United States. Kubota strives for accuracy but cannot be held responsible for any errors in information featured in this presentation. Kubota notes that specifications and technical information is subject to change without notice and Kubota does not represent or warrant that the information in this presentation is completely accurate or current; however, Kubota used reasonable efforts to include accurate and up to date information in this presentation. Kubota disclaims all representations and warranties, whether express or implied, including, but not limited to, warranties of merchantability and fitness for a particular purpose. Kubota shall not be liable for any damages, whether compensatory, direct, indirect, incidental, special, or consequential, arising out of or in connection with the use of this presentation, or the information therein. If and to the extent any state does not permit the exclusion or limitation of liability for consequential or incidental damages, Kubota's liability, in such state, shall be limited to the fullest extent permitted by law.

The collection, arrangement and assembly of content in this presentation are the exclusive property of Kubota and are likewise protected by copyright and other intellectual property laws. Kubota asserts a claim of copyright for our compilations of presentation slides, their unique scope and style, our domains, our site design, HTML, database design, look and feel, and back-end code. Upon viewing any page under this presentation, you consent to this disclaimer. Copying, distributing, re-creating or any other unauthorized use of the content of this presentation without the express written consent of Kubota is strictly prohibited.