



**KUBOTA UNIVERSITY**

# **Standard L Series**

## **L3901 Detailed Specifications**

**Winter 2017**





## STANDARD L SERIES TRACTORS



### L3901 F/DT/HST

#### SALES FEATURES

- Kubota diesel engine with electronic Direct Injection - Common Rail System (CRS) with EGR valve and Diesel Particulate Filter system (DPF)
- Meets EPA Tier 4 Final emissions regulations
- 11.1 gallon fuel tank
- Choice of two transmissions
  - Gear Drive with 8 forward and 8 reverse gears
  - Hydrostatic transmission with 3 ranges - Low - Med - High
- Gear drive models have an inline synchro shuttle for quick direction changes, forward and reverse
- Compact design aimed at greater operator convenience, comfort and performance
- Spacious metal operator foot deck
- Multiple wet disc brakes
- Integral power steering for smooth and easy turning
- Enclosed muffler and horizontal exhaust pipe
- 540 rpm PTO live-continuous with overrunning clutch
- Wide round metal fenders
- Redesigned one piece metal hood with integrated front grille and headlights
- Foldable ROPS
- Deluxe dash with LCD hour and error message display, analog tachometer, fuel and temperature gauges
- DPF warning indicators
- Parking braking indicator
- Cat I three point hitch
- Front weight bracket standard on 2wd model

#### STANDARD EQUIPMENT

- 3-Point top link holder
- 3-Point turnbuckle style check chains
- Differential lock on 4WD is standard (DT/HST models)
- Convenient cup holder
- High back deluxe seat with side lumbar support and a drain hole on the seat bottom and tilts forward to protect it from the elements
- Key shut-off / safety start switches
- Drawbar
- Tilt-up one piece hood for easy serviceability
- Toolbox
- Left side step for easy entry
- Left side grab handle
- Parking brakes with indicator light
- Headlights and tail lamps

#### SAFETY EQUIPMENT

- Foldable ROPS with retractable seatbelt
- Safety start switches
- Parking Brakes
- Hazard flashers and turn signals
- SMV sign
- Wide anti-slip step
- PTO shield
- Operator presence system (OPC)

#### IMPLEMENTS

##### "Performanced Matched"

- BH77 Backhoe
- LA525 / LA525FL Front Loader
- BL2664 / L2674 Rear mount snowblowers
- Ballast box
- Land Pride Implements

##### OPTIONAL EQUIPMENT

- Sunshade for ROPS
- Front weight bracket (4WD)
- Front bumper weights
- Up to (3) rear remote hyd. valves
- Rear work lights
- Rear wheel weights (AG wheels)
- 3-Point telescopic stabilizers
- Block heater
- Dual element air cleaner
- Swinging drawbar / drawbar clevis
- Front grille guard (non-loader)
- Extra length seat belt
- Mechanical cruise control (HST model only)



# L3901 Specifications

## SPECIFICATIONS

### L3901 F/DT/HST TRACTOR

ENGINE		
Make and Model	F/DT: D1803-CR-E4-LB3	HST: D1803-CR-E4-LB4
Type	Liquid cooled, Meets Tier 4 emission regulations	
	3 cylinder 4 cycle multi valve diesel engine	
	Fuel injection system: CRS (Common Rail System) direct injection; electronic fuel injection	
	Naturally aspirated	
Engine hp, gross*	37.5 hp @ 2700 rpm	
Engine hp, net*	36.3 hp @ 2700 rpm	
Engine hp, PTO*	F/DT 32.1 hp @ 2700 rpm	HST 30.6 hp @ 2700 rpm
Maximum torque	83.6 ft. lb. @ 1500 ~ 1700 rpm	
Bore and Stroke	3.43 in. x 4.03 in.	
Displacement	111.4 cu. in.	
Fuel per hour	2.06 gal. per hour at maximum load (calculated, actual may vary)	
Air Cleaner Element	Dry Paper Single Element	
Cold Weather Start Aid	Glow Plugs	
Lubrication	Forced lubrication by trochoidal pump	
Governor	Electronic control	
Injection pump	Electronic CRS (Common Rail System)	
Fuel filter system	1-Spin on type fuel filter with water separator with manual drain cock	
Oil filter	Sheet net and replaceable treated paper element, spin on oil filter	
Exhaust	Underhood exhaust system, with DPF muffler, forward exhaust	
Engine Compartment	Fully enclosed and screened engine compartment with easy access hood	
Fuel Shutoff	Electric activated engine stop mechanism	
Throttle	Hand and foot operated throttle	
COOLING SYSTEM		
Radiator	Water with pressurized radiator	
Water pump	Centrifugal	
CAPACITIES		
Fuel Tank	11.1 gal.	
Cooling system	6.3 qt.	
Engine Oil	7.1 qt.	
Transmission	7.4 gal. (F) / 7.5 gal. (DT) / 6.2 gal. (HST)	
Front Axle - 4WD Bevel Gear Cases	4.8 qt.	
AXLE LOAD RATINGS (Maximum)		
Front Axle	2865 lb. @ 41.3 in. tread on 2WD and 4WD models	
Rear Axle	2865 lb. @ 43.8 in. tread on 2WD and 4WD models	
PTO		
Rear PTO	Shaft	1 3/8" SAE 6-Spline Shaft
	F/DT	Live Independent PTO w/ hydraulic clutch: 540 rpm @ 2425 engine rpm
	HST	Live Independent PTO w/ hydraulic clutch: 540 rpm @ 2580 engine rpm
Mid PTO	N/A	
PTO Shield	Flip-up type PTO shield	

\*Manufacturers Estimate

<b>DRIVE TRAIN</b>		
Front Axle	2WD: Tubular steel, non-adjustable tread spacing	4WD: Bevel gear front axle, non-adjustable tread spacing
4WD Drive Shaft	Fully Enclosed, Spline Shaft Power Transfer	
Clutch	Dry type single stage with torsion spring: 8.46" F/DT - 7.87" HST	
DT Models	Manual transmission with synchronized shuttle	
Speeds	8 Forward / 8 Reverse - 4 Main speeds with High and Low	
Shuttle Lever	Left side inline shift lever for forward/reverse direction changes - Sychro-Shuttle	
Main Shift Lever	Straddle mounted gear shift lever	
Throttle	Hand and foot operated throttle	
HST Models	Hydrostatic transmission	
Speeds	3 Range (Low-Medium-High)	
Control Type	Mechanical control	
Foot Control	Single pedal, Toe/Heel or Toe/Toe forward/reverse operaton	
Throttle	Hand operated throttle	
Creep Speed	N/A	
Cruise Control	Mechanical lever, infinite speed control (HST option only)	
Steering	Integral power steering	
Differential Lock	Rear differential lock standard	
Final Drive Type	Helical gear, Flange hub	
Axle Ratio 4WD	1.553	
Brakes	Mechanical, wet disc type, pedals that can be locked together	
<b>HYDRAULIC SYSTEM</b>		
Type	Open center tandem pump gear type	
Hydraulic pump output	6.3 gpm	
Power steering pump output	3.8 gpm	
Total hydraulic flow	10.1 gpm	
Number of remote valves	Optional up to 3 - Self canceling detent valve or float detent valve options	
Hydraulic filter type	Spin-on hydraulic filter	
<b>THREE-POINT HITCH</b>		
Category	Category I	
Control Method	Position control	
Draft Control	N/A	
Lift Arms	Rigid lower link ends with turnbuckle check chains	
Right link adjustment	Turn Buckle	
Lift Capacity @ Lift Points	1874 lb.	
24" Behind Lift Points	1433 lb.	
<b>DRAWBAR</b>		
Tongue weight	Maximum tongue weight 730 lb.	
Type	Fixed (Swinging - optional)	
<b>ELECTRICAL</b>		
System	Deluxe dash with analog tachometer, temperature gauge, fuel gauge and LCD hour and error message display	
Battery	12 volt battery 580 CCA	
Alternator	40 Amps.	
Engine Shutoff	Electric key shutoff	
Cold temperature starting aid	Glow plugs (Block heater - optional)	
Lights	Fender mounted 4-way flashers	
	Two headlights	
	Two tail lights with hazard flashers and turn signals	
<b>SAFETY EQUIPMENT</b>		
ROPS	Factory certified two post foldable ROPS with retractable seat belt	
Cab	N/A	
Safety start switches	PTO / Shuttle (F/DT)/HST Range (HST) Neutral Switches	
OPC	Operator presence control system, engine shutoff type	
Parking brakes	Interlocking brake pedals, and depress pedal and latch with the parking brake lever	
SMV sign	Slow moving vehicle sign	
Paint	High visibility paint	



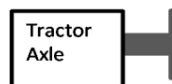
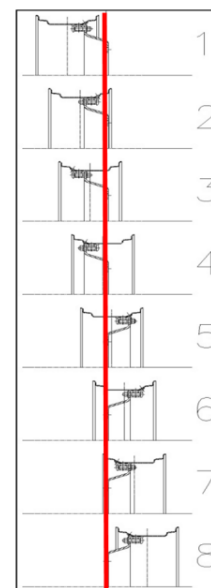
# L3901 Specifications

DIMENSIONS	
Height to top of ROPS	97.1 in.
Height to top of Cab	N/A
Overall Length	F - 119.1 in. w/3-Pt., 110.6 in. w/o 3-Pt. DT/HST - 116.3 in. w/3-Pt., 107.9 in. w/o 3-Pt.
Overall Width	55.1 in.
Wheelbase	63.3 in.
Crop Clearance	F - 15.0 in DT/HST - 13.6 in.
Ground Clearance	F - 13.6 in. DT/HST - 13.5 in.
Tread Width	Ag Tires Front: 2WD 5-15 (41.3") - 7.5-15 (44.1") / 4WD 7.2-16 (43.1") Rear: 11.2-24 (43.8") (47.1") (50.8") Turf Front: 2WD 23x8.5-12 (46.3") / 4WD 25x8.5-14 (43.5") Rear: 13.6-16 (43.8") Industrial Front: 4WD 27x8.5-15 (43.8") Rear: 15-19.2 (45.1")
Turning Radius	w/brake 2WD - 7.9 ft. 4WD - 8.2 ft. w/o brake applied 2WD - 8.9 ft. 4WD - 10.5 ft.
Base Weight	F - 2557 lb. / DT - 2734 lb. / HST - 2778 lb.
Field Ready	Front weights 55 lb. each x max 5 / Rear wheel weights 62 lb. each max. 3 per wheel
TOW RATING	
Maximum	2200 lb.
Max. drawbar load @ hitch	730 lb.
WHEELS AND TIRES	
2WD MODEL	
Standard	5.0-15 F2 Goodyear Triple Rib - ALR8865 11.2-24 R1 Titan Hi Power Lug - ALR9494
Option 1	7.5L-15 F2 Firestone Guide Grip - ALR8852A 11.2-24 R1 Titan Hi Power Lug - ALR9494
Option 2	23x8.5-12 R3 Titan Multi Trac - ALR8890A 13.6-16 R3 Titan Multi Trac TL - ALR8804A
WHEELS AND TIRES	
4WD MODEL	
Standard	7.2-16 R1 Goodyear Power Torque - ALR8866D 11.2-24 R1 Titan Hi Power Lug - ALR9494
Option 1	25x8.5-14 HF-1 Goodyear SofTrac - ALR8893A 13.6-16 R3 Titan Multi Trac TL - ALR8804A
Option 2	27x8.5-15 R4 Titan Trac Loader TL - AMR8977 15-19.5 R4 Titan Trac Loader - ALR8809

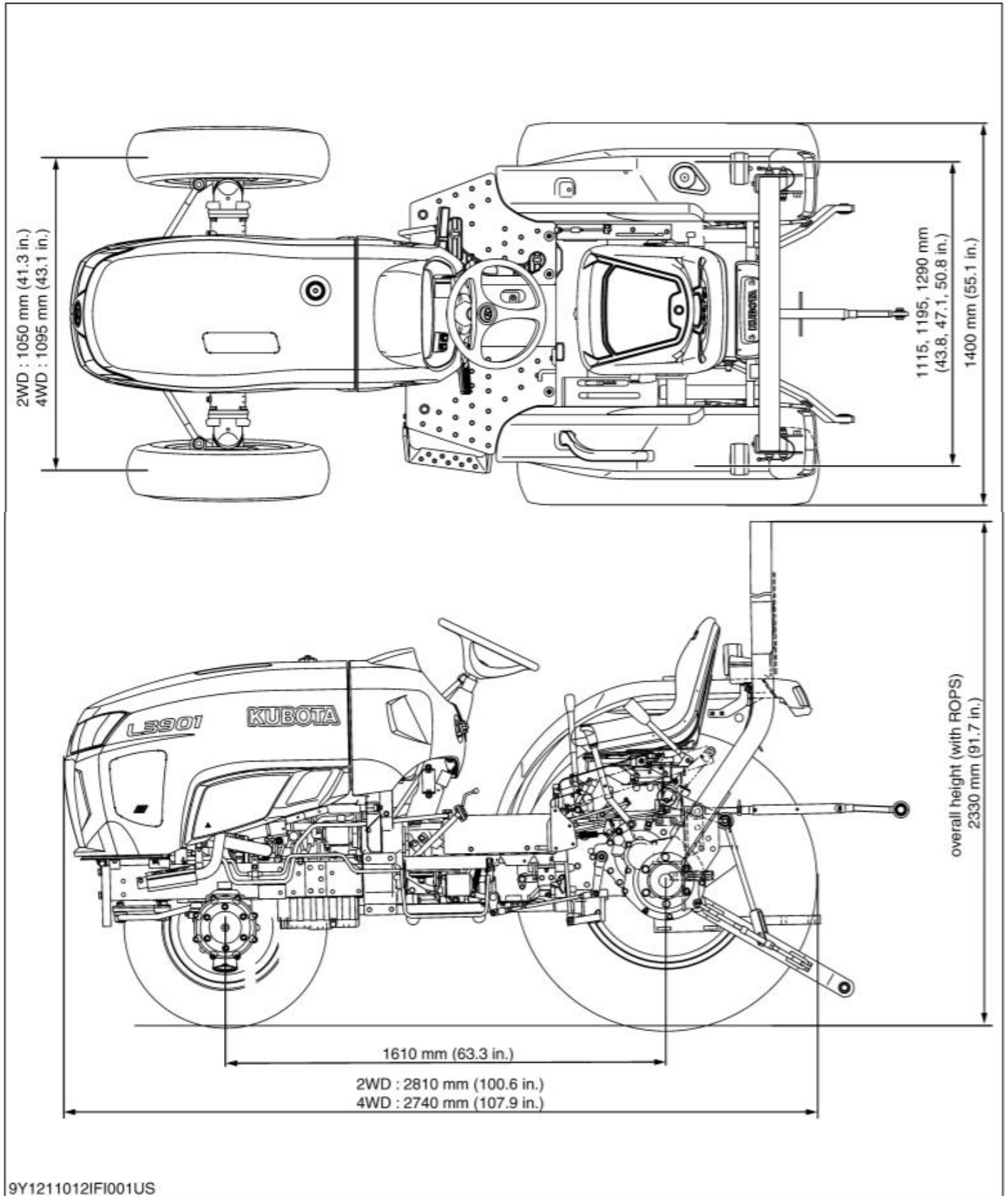
Adjustable Wheels			
Standard Rear ALR9494 R1-F/DT/HST	Wheel Offset	Center to Center	Overall Width
Position 6	2.94	43.8	55.1
Position 7	4.55	47.1	58.3
Position 8	6.44	50.8	62

Note: Positions shown are only positions available.

Fixed Welded Wheels			
Tire Model	Wheel Offset	Center to Center	Overall Width
ALR8804A R3-F/DT/HST	2.74	43.8	59.2
ALR8809 R4-DT/HST	3.6	45.1	60.1



# Dimensions





# Traveling Speeds

[Manual Transmission Type]

(At rated engine rpm)

Model			L3301/L3901	
Tire size (Rear)			11.2-24	
	Range gear shift lever	Main gear shift lever	km/h (mph)	
Forward	Low	1	1.7 (1.1)	
		2	2.2 (1.4)	
		3	3.8 (2.3)	
		4	5.6 (3.5)	
	High	1	<b>Note: Travel speed differential with optional tires:            Multiply standard speeds by percentage provided for tire option selected.            2WD Option #1 - same as Std.            2WD Option #2 - 87.5%            4WD Option #1 - 87.5%            4WD Option #2 - 90%</b>	6.6 (4.1)
		2		8.5 (5.3)
		3		14.4 (8.9)
		4		21.2 (13.2)
Reverse	Low	1	1.7 (1.1)	
		2	2.2 (1.4)	
		3	3.8 (2.3)	
		4	5.6 (3.4)	
	High	1	6.5 (4.1)	
		2	8.5 (5.3)	
		3	14.3 (8.9)	
		4	21.1 (13.1)	

[HST Type]

(At rated engine rpm)

Model		L3301/L3901
Tire size (Rear)		11.2-24
	Range shift lever	km/h (mph)
Forward	L	6.3 (3.9)
	M	10.9 (6.8)
	H	22.7 (14.1)
Reserve	L	5.6 (3.5)
	M	9.9 (6.1)
	H	20.5 (12.7)

OTHER	
Instruction Identification	Permanently installed English instructions, diagrams, and warning decals, where required by law, to ensure operator and servicing with maximum safety.
Product Supporter	Parts and Service Manuals Available
Warranty	General: 24 Months or 1500 Hours
IMPLEMENTS AND ATTACHMENTS	
<p><b>Front Loader</b></p> <p><b>LA525</b> Standard with 2-Lever Quick Coupler Grille Guard No tools required to attach and detach loader Loader valve</p> <p><b>LA525FL</b> Grille Guard No tools required to attach and detach loader Loader valve 60" Pin-on Bucket</p> <p><b>Loader Options</b> L2215 2-Lever Quick Coupler L2256 66" 2-Lever Quick Coupler Square Back Bucket L2242 60" Pin-on Bucket L2237 2-Lever Quick Coupler Bale Spear L2238 2-Lever Quick Coupler Pallet Fork Frame K9048 36" Pallet Forks L2130 Bucket Rod Indicator</p>	<p><b>Backhoe</b></p> <p><b>BH77</b></p> <p><b>Optional Attachments</b> BT1950A 10" Bucket BT1951A 12" Bucket BT1952A 16" Bucket BT1953A 24" Bucket L9467 Flip Pads (2 Required) BH1976 Mechanical Thumb</p> <hr/> <p><b>Rear Mounted Implements</b> BL2664 64" Rear Snowblower L2674 74" Rear Snowblower</p>





## Legal Disclaimer

To the best of Kubota's knowledge, all information included in this presentation is either owned by Kubota or falls under the fair use or public domain guidelines of copyright law in the United States. Kubota strives for accuracy but cannot be held responsible for any errors in information featured in this presentation. Kubota notes that specifications and technical information is subject to change without notice and Kubota does not represent or warrant that the information in this presentation is completely accurate or current; however, Kubota used reasonable efforts to include accurate and up to date information in this presentation. Kubota disclaims all representations and warranties, whether express or implied, including, but not limited to, warranties of merchantability and fitness for a particular purpose. Kubota shall not be liable for any damages, whether compensatory, direct, indirect, incidental, special, or consequential, arising out of or in connection with the use of this presentation, or the information therein. If and to the extent any state does not permit the exclusion or limitation of liability for consequential or incidental damages, Kubota's liability, in such state, shall be limited to the fullest extent permitted by law.

The collection, arrangement and assembly of content in this presentation are the exclusive property of Kubota and are likewise protected by copyright and other intellectual property laws. Kubota asserts a claim of copyright for our compilations of presentation slides, their unique scope and style, our domains, our site design, HTML, database design, look and feel, and back-end code. Upon viewing any page under this presentation, you consent to this disclaimer. Copying, distributing, re-creating or any other unauthorized use of the content of this presentation without the express written consent of Kubota is strictly prohibited.