

### L47 TRACTOR SPECIFICATIONS

<b>Engine</b>	Non-road emission std.	EPA Final Tier 4
	Gross power (97/68/EC)	47.1 HP (35.1 kW)
	Net power (ECE-R24)	44.7 HP (33.3 kW)
	Total displacement	148.5 cu.in. (2434 cm <sup>3</sup> )
	No. of cylinders	4
	Rated speeds	2700 rpm
	Air cleaner	Dual element
<b>Max. PTO power</b>		33.0 HP (24.6 kW)
<b>Fuel tank capacity</b>		17.7 gal (67 litres)
<b>Tire size</b>	Front	27 x 10.5-15R4
	Rear	15-19.5R4
<b>Wheelbase</b>		72.5 in (1841 mm)
<b>Tread</b>	Front	45.9 in (1165 mm)
	Rear	56.1 in (1426 mm)
<b>Weight with loader, backhoe and ROPS/FOPS<sup>(1)</sup></b>		7205 lbs (3268 kg)
<b>Min. turning radius<sup>(2)</sup></b>		9.2 ft. (2.8 m)
<b>Rear PTO</b>		Independent, 540 rpm
<b>Power steering</b>		Hydrostatic
<b>Transmission</b>	Type	HST Plus (6 range)
	No. of speeds	Infinite
	Max. traveling speed	14 mph (22.5 km/h)
	Range shift lever position	Seat side, right
<b>Brake type</b>		Wet disc
<b>Hydraulic system</b>	Pump capacity	25.0 GPM (94.9 l/min.) <sup>(2)</sup>
	3-point hitch lift capacity at 24 in. (610 mm) behind lift point	2756 lbs (1250 kg)
	Position control	Standard
<b>3-point hitch (Category I)</b>		Optional
<b>ROPS/FOPS (meets OSHA1926 1001/1003, ISO3471)</b>		4 post, Standard
<b>Others</b>	Hard nose slanted hood	Standard
	Back-up alarm	Standard
	Horn	Standard
	Rear axle differential lock	Standard
	Loader-integrated reinforced frame	Standard
	Reversible seat	Standard
	Tilt steering	Standard
	Deck	Walk-through deck
	Glow plug	Super glow

<sup>(1)</sup>With round back loader bucket, 18" backhoe bucket and standard tires.  
<sup>(2)</sup>11.8 GPM for loader/backhoe, 6.6 GPM for backhoe boom swing, 6.6 GPM for power steering.  
<sup>(3)</sup>With brake

### L47 TL1300 LOADER SPECIFICATIONS

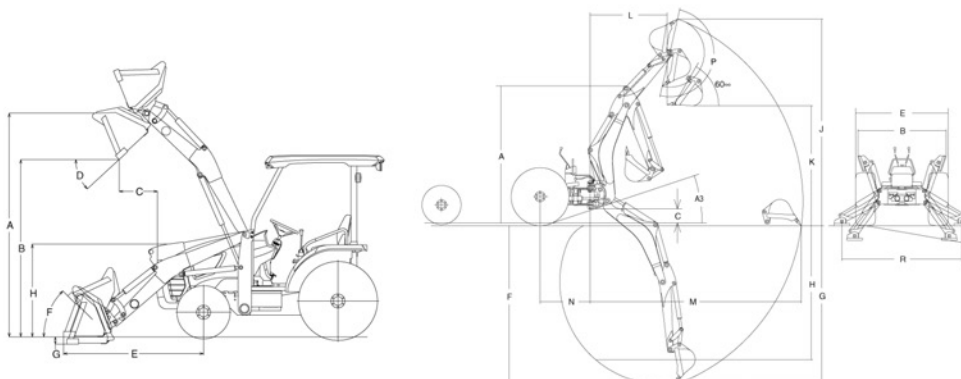
<b>Lift capacity to max. height at pivot pin:</b>	2848 lbs (1292 kg)
<b>Breakout force at pivot pin:</b>	4531 lbs (20153 N)
<b>Control valve:</b>	One detent float position power beyond circuit hydraulic dual self-leveling valve
<b>Net weight (Approx.):</b>	960 lbs (435 kg)
<b>Auto-leveling mechanism:</b>	Standard, Hydraulic
<b>2 lever quick coupler:</b>	Standard
<b>Operating Dimensions:</b>	
A. Maximum lift height to pivot pin	113.9 in (2893 mm)
B. Clearance with bucket dumped	90.0 in (2287 mm)
C. Reach at maximum height	16.6 in ( 422 mm)
D. Maximum dump angle	44 deg.
E. Reach with bucket on ground	68.5 in (1739 mm)
F. Bucket rollback angle	48 deg.
G. Digging depth	3.5 in ( 89 mm)
H. Overall height in carrying position	55.2 in (1402 mm)
<b>Performance Ratings (No Load)</b>	
	<b>Self-leveling on off</b>
<b>Raise to full height:</b>	3.6 sec. 3.2 sec.
<b>Lowering time self level valve:</b>	5.8 sec. 2.9 sec.
<b>Attachment rollback time:</b>	1.9 sec. 1.9 sec.
<b>Attachment dumping time:</b>	2.2 sec. 2.2 sec.
<b>Boom stopper (meets OSHA1926.600)</b>	Standard
<b>3rd function valves</b>	Optional 11.5 GPM

\*Tires applied: 27x10.5-15R4 (Front) and 15-19.5R4 (Rear)

### L47 BT1000B BACKHOE SPECIFICATIONS

<b>Digging force using bucket cylinder (approx.)</b>	5825 lbs (25892 N)
<b>Digging force using dipperstick cylinder (approx.)</b>	3779 lbs (16797 N)
<b>Trunnion type boom swing mechanism two cylinders net weight (approx.)</b>	1660 lbs (753 kg)
<b>Operating Dimensions:</b>	
A. Transport height	106.3 in (2700 mm)
B. Stabilizer spread-transport	67.2 in (1707 mm)
C. Ground clearance	12.3 in ( 312 mm)
E. Overall width	71.2 in (1809 mm)
F. Digging depth, maximum	121.0 in (3073 mm)
G. Digging depth, 2ft. flat bottom	120.0 in (3048 mm)
H. Digging depth, 8ft. flat bottom	102.2 in (2596 mm)
J. Operating height, fully raised	157.2 in (3993 mm)
K. Loading height	92.9 in (2359 mm)
L. Loading reach	54.6 in (1386 mm)
M. Reach from swing pivot	160.9 in (4087 mm)
N. Swing pivot to rear axle center line	38.0 in ( 965 mm)
P. Bucket rotation	180 deg.
X. Swing arc	180 deg.
R. Stabilizer spread-operating	89.3 in (2268 mm)
A3. Angle of departure per SAE J1234	19.2 deg.
U. Leveling angle	10.0 deg.
<b>Auxiliary hydraulic valve:</b>	Optional 11.5 GPM

\*The specifications are taken with Kubota's L47 tractor. (Tire size:27x10.5-15R4 (Front) and 15-19.5R4 (Rear))



The company reserves the right to change the above specifications without notice. This brochure is for descriptive purposes only. Please contact your local Kubota dealer for warranty information. For your safety, Kubota strongly recommends the use of a Rollover Protective Structure (ROPS) and seat belt in almost all applications. For complete operational information, the operator's manual should be consulted.