



K008-3



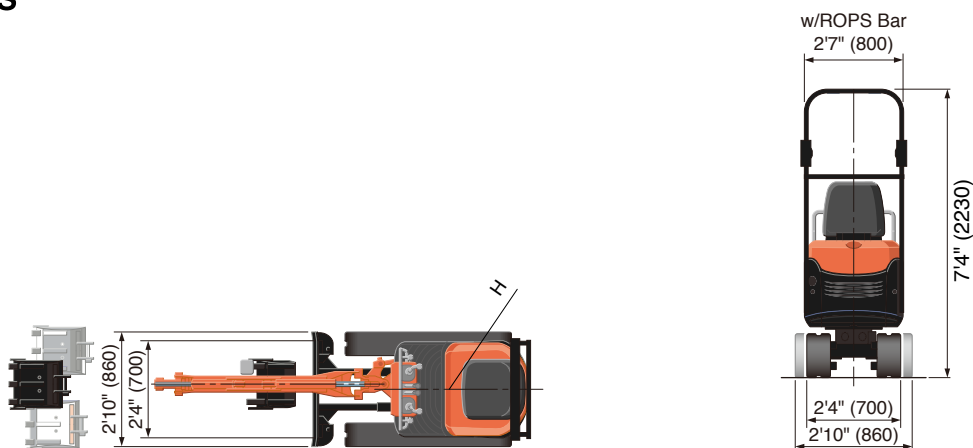
SPECIFICATIONS

Specifications

Model		K008-3		
Type of tracks		Rubber		
Engine	Model		Kubota D722-E4	
	Output (SAE J1995 gross)	HP (kW)/rpm	10.3 (7.7) / 2050	
	Output (SAE J1349 net)	HP (kW)/rpm	10.1 (7.5) / 2050	
	Displacement	cu.in. (cc)	44 (719)	
	Overall length	ft.in. (mm)	9'0" (2750)	
Dimensions	Overall height	ft.in. (mm)	7'4" (2230)	
	Overall width	ft.in. (mm)	2'10" (860) / 2'4" (700)	
	Min. ground clearance	in. (mm)	5.9" (150)	
	Pump capacity	gpm. (ℓ /min)	5.55 (21.0)	
Hydraulic system	Auxiliary hydraulic flow		gpm. (ℓ /min)	5.55 (21.0)
	Max. breakout force	Bucket	lbs. (kgf)	2200 (1000)
		Arm	lbs. (kgf)	1010 (460)
Drive system	Travel speed		mph (km/h)	1.2 / 2.5 (2.0 / 4.0)
	Max. traction force		lbs. (kgf)	1695 (770)
	Tumbler distance		ft.in. (mm)	2'11" (900)
	Crawler length		ft.in. (mm)	4'0" (1230)
	Shoe width		in. (mm)	7.1" (180)
	Ground contact pressure		psi (kgf/cm ²)	3.55 (0.25)
Swing system	Unit swing speed		rpm	8.3
	Boom swing angle	Left	degree	55
		Right	degree	60
Blade	Dimensions	Width	ft.in. (mm)	2'4" / 2'10" (700 / 860)
		Height	in. (mm)	7.9" (200)
	Max. lift above ground		in. (mm)	7.9" (200)
	Max. drop below ground		in. (mm)	7.1" (180)
Hydraulic oil (reservoir/system)		gpm. (ℓ /min)	3.30 / 4.49 (12.5 / 17.0)	
Fuel reservoir		gpm. (ℓ /min)	3.17 (12.0)	
Operating weight				
Including operator's weight 175 lbs.		lbs.(kgf)	2200 (1000)	

The company reserves the right to change the above specifications without notice. This brochure is for descriptive purposes only. Please contact your local Kubota dealer for warranty information. For your safety, Kubota strongly recommends the use of a Rollover Protective Structure (ROPS) and seat belt for almost all applications.

DIMENSIONS



KX

KX018-4

SPECIFICATIONS

Specifications

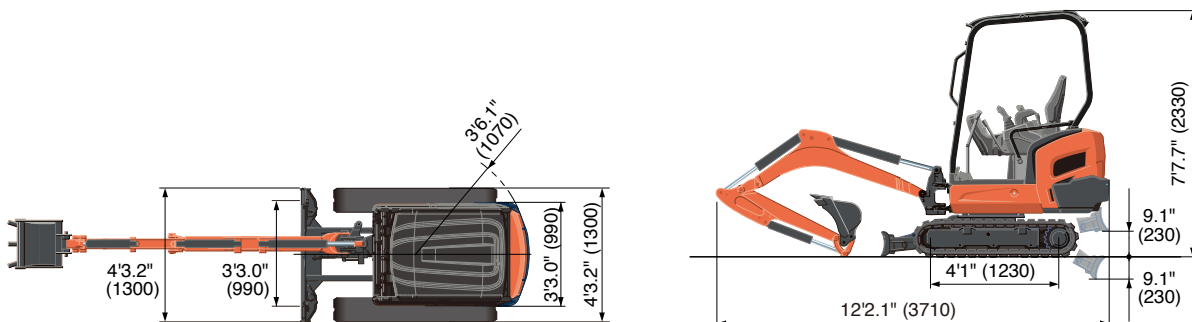
Model		KX018-4		
Type of ROPS / OPG (Top Guard Level I)*		Canopy / Cab		
Type of tracks		Rubber		
Engine	Model	Kubota D902-BH-E4		
	Output (SAE J1995 gross)	HP (kW)/rpm	16.1 (12.0) / 2300	
	Output (SAE J1349 net)	HP (kW)/rpm	15.5 (11.6) / 2300	
	Displacement	cu. in. (cc)	54.80 (898)	
Dimensions	Overall length	ft. in. (mm)	12'2.1" (3710)	
	Overall height	ft. in. (mm)	7'7.7" (2330) / 7'8.5" (2350)	
	Overall width	ft. in. (mm)	4'3.2" (1300) / 3'3.0" (990)	
	Min. ground clearance	in. (mm)	6.3" (160)	
Hydraulic system	Pump capacity	GPM (ℓ/min)	4.6 (17.3) × 2 / 2.8 (10.4) × 1 / 1.7 (6.2) × 1	
	Auxiliary hydraulic flow	GPM (ℓ/min)	7.4 (27.7)	
	Max. breakout force	Bucket / Arm	lbs. (kgf)	3594 (1630) / 1852 (840)
Drive system	Travel speed	Low / High	mph (km/h)	1.4 (2.2) / 2.5 (4.0)
	Max. traction force		lbs. (kgf)	4542 (2060)
	Tumbler distance		ft. in. (mm)	4'1" (1230)
	Crawler length		ft. in. (mm)	5'2.6" (1590)
	Shoe width		in. (mm)	9.1" (230)
	Ground contact pressure		psi (kgf/cm ²)	3.7 (0.26) / 3.8 (0.27)
Swing system	Unit swing speed	rpm	9.1	
	Boom swing angle	Left / Right	degree	75 / 60
Blade	Dimensions	Width	ft. in. (mm)	4'3.2" (1300) / 3'3.0" (990)
		Height	in. (mm)	9.1" (230)
	Max. lift above ground		in. (mm)	9.1" (230)
	Max. drop below ground		in. (mm)	9.1" (230)
Hydraulic oil (reservoir / system)		gal (ℓ)	4.1 (15.5) / 7.4 (28)	
Fuel reservoir		gal (ℓ)	5.6 (21)	
Operating weight (Including operator's weight 175 lbs.)		lbs. (kgf)	3748 (1700) / 3968 (1800)	

* OPG (Top Guard Level I) in accordance with ISO10262 is equivalent in definition to FOPS (Falling Object Protective Structure).

The company reserves the right to change the above specifications without notice. This brochure is for descriptive purposes only. Please contact your local Kubota dealer for warranty information.

For your safety, Kubota strongly recommends the use of a Rollover Protective Structure (ROPS) and seat belt for almost all applications.

DIMENSIONS





KX71-3S



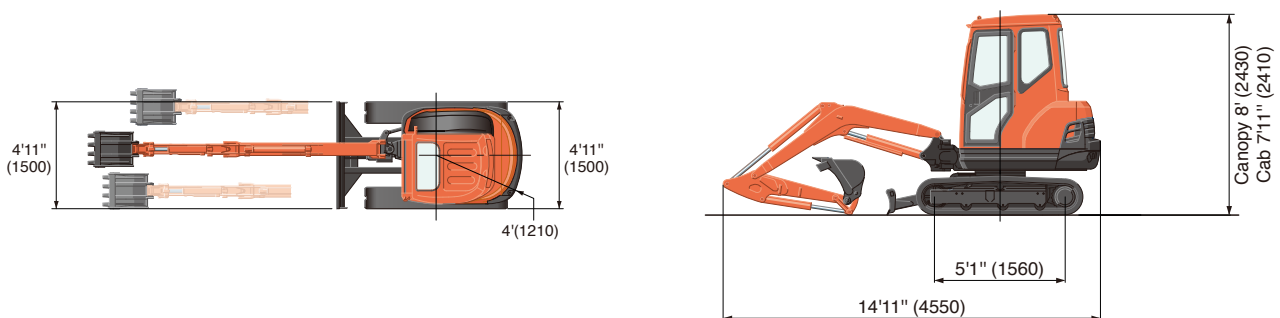
SPECIFICATIONS

Specifications

Model		KX71-3S		
Type of ROPS / OPG (Top Guard Level I)*		Canopy / Cab		
Type of tracks		Rubber		
Engine	Model		V1505-BH	
	Output (SAE J1995 gross)	HP (kW)/rpm	24.4 (18.2) / 2250	
	Output (SAE J1349 net)	HP (kW)/rpm	23.1 (17.2) / 2250	
	Displacement	cu.in. (cc)	91.4 (1498)	
Dimensions	Overall length		ft.in. (mm)	14'11" (4550)
	Overall height	Canopy / Cab	ft.in. (mm)	8' (2430) / 7'11" (2410)
	Overall width		ft.in. (mm)	4'11" (1500)
	Min. ground clearance		ft.in. (mm)	11" (285)
Hydraulic system	Pump capacity		gpm. (ℓ /min)	8.32 (31.5) Piston x 2 / 4.76 (18.0) Gear x 1
	Auxiliary hydraulic flow		gpm. (ℓ /min)	13.1 (49.5)
	Max. breakout force	Bucket / Arm	lbs. (kgf)	6350 (2880) / 3285 (1490)
Drive system	Travel speed	Low / High	mph (km/h)	1.8 (2.8) / 2.9 (4.6)
	Max. traction force	Low speed	lbs. (kgf)	7081 (3212)
	Tumbler distance		ft.in. (mm)	5'1" (1560)
	Crawler length		ft.in. (mm)	6'6" (1990)
	Shoe width		ft.in. (mm)	12" (300)
	Ground contact pressure		psi (kgf/cm ²)	3.9 (0.28) / 4.1 (0.29)
Swing system	Unit swing speed		rpm	9.4
	Boom swing angle	Left / Right	degree	80 / 60
Blade	Dimensions	Width / Height	ft. in. (mm)	4'11" (1500) / 12" (300)
	Max. lift above ground		ft. in. (mm)	1'1" (340)
	Max. drop below ground		ft. in. (mm)	12" (310)
Hydraulic oil (reservoir/system)		gal (ℓ)	9.0 (34) / 13.2 (50)	
Fuel reservoir		gal (ℓ)	11.9 (45)	
Operating weight Including operator's weight 175 lbs.		lbs.(kgf)	6305 / 6550 (2860 / 2970)	

* OPG (Top Guard Level I) in accordance with ISO10262 is equivalent in definition to FOPS (Falling Object Protective Structure). The company reserves the right to change the above specifications without notice. This brochure is for descriptive purposes only. Please contact your local Kubota dealer for warranty information. For your safety, Kubota strongly recommends the use of a Rollover Protective Structure (ROPS) and seat belt for almost all applications.

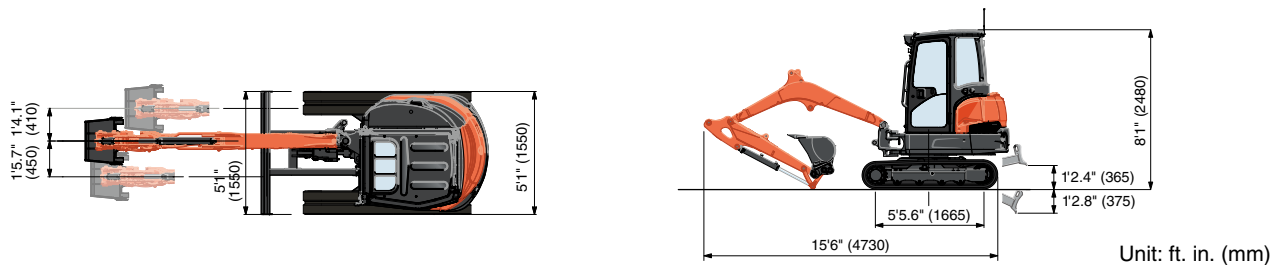
DIMENSIONS



SPECIFICATIONS

Model		KX033-4		KX033-4 Angle Blade	
Type of ROPS / OPG (TOP Guard, Level I)		Canopy / Cab			
Type of tracks		Rubber / Steel			
Engine	Model	Kubota D1703M-DI-E4			
	Output (SAE J1995 gross)	HP (kW) / rpm	24.8 (18.5) / 2200		
	Output (SAE J1349 net)	HP (kW) / rpm	23.2 (17.3) / 2200		
	Displacement	cu. in. (cc)	100.5 (1647)		
Dimensions	Overall length	ft. in. (mm)	15'6" (4730)		
	Overall height	ft. in. (mm)	8'1" (2480) / 8'1" (2470)		
	Overall width	ft. in. (mm)	5'1" (1550)		
	Min. ground clearance	in. (mm)	11.4 (290)		
	Boom offset	Right / Left	ft. in. (mm)	1'4.1" (410) / 1'5.7" (450)	
	Blade lift	Upper / Low	ft. in. (mm)	1'2.4" (365) / 1'2.8" (375)	
Hydraulic system	Pump capacity	GPM (ℓ/min)	10.5 (39.6) x 2 / 5.5 (20.9) x 1		
	Auxiliary hydraulic flow	GPM (ℓ/min)	15.8 (60)		
	Max. breakout force	Bucket / Arm	lbs. (kgf)	8138 (3694) / 3867 (1756)	
Drive system	Travel speed	Low / High	mph (km/h)	1.9 (3.0) / 2.9 (4.6)	
	Max. traction force	Low speed	lbs. (kgf)	6091 (2763)	
	Tumbler distance		ft. in. (mm)	5'5.6" (1665)	
	Crawler length		ft. in. (mm)	6'10.6" (2100)	
	Shoe width	Rubber / Steel	in. (mm)	11.8 (300)	
	Ground contact pressure	Canopy Rubber / Steel	psi (kgf/cm ²)	4.365 (0.307) / 4.482 (0.315)	4.583 (0.322) / 4.700 (0.331)
	Cab Rubber / Steel	psi (kgf/cm ²)	4.559 (0.321) / 4.676 (0.329)	4.776 (0.336) / 4.894 (0.344)	
Swing system	Unit swing speed		rpm	8.9	
	Boom swing angle	Left / Right	degree	70 / 48	
Blade	Dimensions	Width	ft. in. (mm)	5'1" (1550)	
		Height	ft. in. (mm)	1'1.5" (345)	1'3.2" (385)
	Max. lift above ground		in. (mm)	14.4 (365)	
	Max. drop below ground		in. (mm)	14.8 (375)	
	Angle	Left / Right	degree	-	25 / 25
Hydraulic oil (Reservoir / System)			gal (ℓ)	11.8 (44.6) / 16.1 (61)	
Fuel reservoir			gal (ℓ)	12.4 (46.9)	
Operating weight (Including operator's weight @ 175 lbs.)	Canopy Rubber / Steel	lbs. (kgf)	7420 (3365) / 7616 (3454)	7781 (3529) / 7978 (3618)	
	Cab Rubber / Steel	lbs. (kgf)	7742 (3511) / 7938 (3600)	8104 (3675) / 8300 (3764)	

DIMENSIONS



Kubota Tractor Corporation reserves the right to change the stated specifications without notice. This brochure is for descriptive purposes only and reasonable efforts were used to set forth the contained information; some items shown may be optional and some products shown may not be available at all dealerships. Kubota disclaims all representations and warranties, express or implied, or any liability from the use of this brochure. For complete warranty, safety and product information, consult your local Kubota dealer and the operator's manual. Power (HP/KW) and other specifications are based on various standards or recommended practices. For your safety, Kubota strongly recommends the use of a Rollover Protective Structure (ROPS) and seat belt in almost all applications. This brochure is intended for the United States and US territories only. For information regarding Kubota products or services outside these areas, see Kubota Corporation's global web site. Kubota does not provide parts, warranty or service for any Product which is re-sold or retailed in any country other than the country for which the Product(s) were designed or manufactured.

©2016 Kubota Corporation



KUBOTA TRACTOR CORPORATION

Kubota Tractor Corporation, 3401 Del Amo Boulevard, Torrance CA 90503
 Western Division: 1175 S. Guild Ave., Lodi, CA 95240 Tel (209) 334-9910
 Central Division: 14855 FAA Boulevard, Fort Worth, TX 76155 Tel (817) 571-0900
 Northern Division: 6300 at One Kubota Way, Groveport, OH 43125 Tel (614) 835-1100
 Southeast Division: 1025 Northbrook Parkway, Suwanee, GA 30024 Tel (770) 995-8855

Visit our web site at: www.kubota.com



KX Series

Specifications

KX040-4

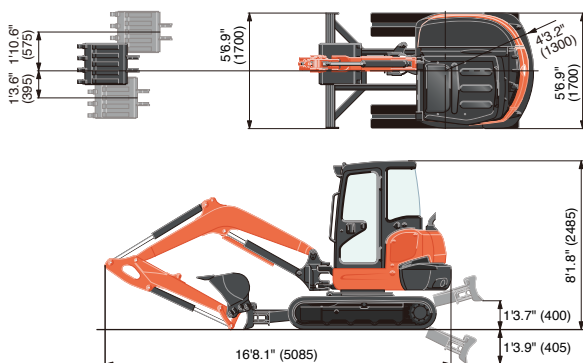


Model		KX040-4		KX040-4 Angle Blade	KX040-4 6-in-1 Blade	
Type of ROPS / OPG (Top Guard Level I)*		Canopy / Cab				
Type of tracks		Rubber / Steel				
Engine	Model	Kubota D1803-CR-TE4				
	Output (SAE J1995 gross)	HP (kW) / rpm	4 4 (3 3) / 2200			
	Output (SAE J1349 net)	HP (kW) / rpm	H .9 (G 7) / 2200			
	Displacement	cu. in. (cc)	111.4 (1826)			
Dimensions	Overall length	ft. in. (mm)	16'8.2" (5085)			
	Overall height	Canopy / Cab	ft. in. (mm)			
	Overall width	ft. in. (mm)	5'6.9" (1700)	5'10.9" (1800)		
	Min. ground clearance	in. (mm)	12.99" (330)			
Hydraulic system	Pump capacity	GPM (ℓ/min)	24.4 (92.4)			
	Auxiliary hydraulic flow	AUX1 / AUX2	GPM (ℓ/min)			
	Max. breakout force	Bucket / Arm	lbf. (kgf)			
Drive system	Travel speed	Low / High	mph (km/h)			
	Max. traction force	Low speed	lbf. (kgf)			
	Tumbler distance	ft. in. (mm)	5'7.3" (1710)			
	Crawler length	ft. in. (mm)	7'1.6" (2175)			
	Shoe width	ft. in. (mm)	1'1.8" (350)			
	Ground contact pressure	Rubber	Canopy / Cab	psi (kPa)	4.53 (31.2) / 4.68 (32.3)	
		Steel	Canopy / Cab	psi (kPa)	4.61 (31.8) / 4.76 (32.8)	
Swing system	Unit swing speed	rpm		9.2		
	Boom swing angle	Left / Right	degree		70 / 55	
Blade	Dimensions	Width	ft. in. (mm)	5'6.9" (1700)	5'10.9" (1800)	
		Height	ft. in. (mm)	1'1.8" (350)	1'3.2" (385)	
	Max. lift above ground	ft. in. (mm)	1'3.7" (400)	1'4.5" (420)	1'4.9" (430)	
	Max. drop below ground	ft. in. (mm)	1'3.9" (405)	1'8.1" (510)	1'8.9" (530)	
	Angle	Left / Right	degree		25 / 25	
Tilt		degree		-		
Hydraulic oil (Reservoir / System)		gal (ℓ)		11.1 (42) / 19.6 (74)		
Fuel reservoir		gal (ℓ)		16.9 (64)		
Operating weight (Including operator's weight @ 175 lbs.)	Rubber	Canopy / Cab	lbs. (kg)	9195 (4170) / 9500 (4310)	9545 (4330) / 9855 (4470)	
	Steel	Canopy / Cab	lbs. (kg)	9350 (4240) / 9655 (4380)	9700 (4400) / 10010 (4540)	
				10050 (4560) / 10360 (4700)		

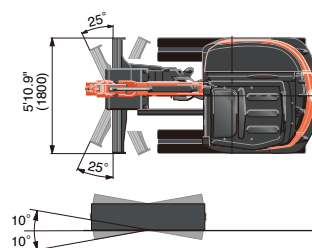
* OPG (Top Guard Level I) in accordance with ISO10262 is equivalent in definition to FOPS (Falling Object Protective Structure).

The company reserves the right to change the above specifications without notice. This brochure is for descriptive purposes only. Please contact your local Kubota dealer for warranty information. For your safety, Kubota strongly recommends the use of a Rollover Protective Structure (ROPS) and seat belt for almost all applications.

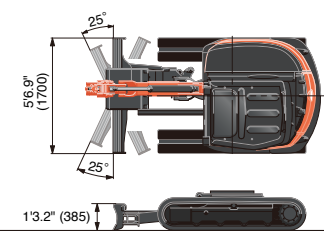
DIMENSIONS



6-in-1 Blade



Angle Blade



KX

KX057-4

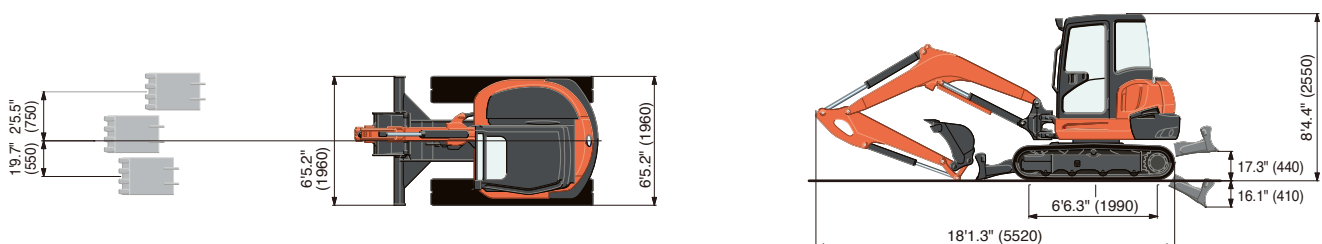
SPECIFICATIONS

Specifications

Model		KX057-4		KX057-4 Angle Blade	
Type of ROPS / OPG (Top Guard Level I)*		Canopy / Cab			
Type of tracks		Rubber		Rubber / Steel	
Engine	Model	Kubota V2607-CR-E4			
	Output (SAE J1995 gross)	HP (kW)/rpm	47.6 (35.5) / 2200		
	Output (SAE J1349 net)	HP (kW)/rpm	45.2 (33.7) / 2200		
	Displacement	cu.in. (cc)	159.6 (2615)		
Dimensions	Overall length	ft.in. (mm)	18'1.3" (5520)		
	Overall height	ft.in. (mm)	8'4.4" (2550)		
	Overall width	ft.in. (mm)	6'5.2" (1960)		
	Min. ground clearance	in. (mm)	1'0.2" (310)		
Hydraulic system	Pump capacity	gpm. (ℓ /min)	14.8 (56.1) Variable x 2 / 9.8 (37.0) Gear x 1		
	Auxiliary hydraulic flow	AUX1 / AUX2 gpm. (ℓ /min)	19.8 (75) / 9.8 (37)		
	Max. breakout force	Bucket / Arm lbs. (kgf)	11177 (5070) / 5644 (2560)		
Drive system	Travel speed	Low / High mph (km/h)	1.8 / 3.1 (2.8 / 4.9)		
	Max. traction force	Low speed lbs. (kgf)	14480 (6567)		
	Tumbler distance	ft.in. (mm)	6'6.3" (1990)		
	Crawler length	ft.in. (mm)	8'2.4" (2500)		
	Shoe width	Rubber / Steel ft. in. (mm)	1'3.7" (400)		
	Ground contact pressure	Rubber Canopy / Cab psi (kgf/cm ²)	4.54 (0.319) / 4.62 (0.325)		4.69 (0.330) / 4.78 (0.338)
	Steel Canopy / Cab psi (kgf/cm ²)	-		4.78 (0.336) / 4.85 (0.341)	
Swing system	Unit swing speed	rpm	9.3		
	Boom swing angle	Left / Right degree	70 / 55		
Blade	Dimensions	Width ft. in. (mm)	6'5.2" (1960)		
		Height ft. in. (mm)	1'4.1" (410)		1'4.7" (425)
	Max. lift above ground	in. (mm)	17.3" (440)		
	Max. drop below ground	in. (mm)	16.1" (410)		
	Angle	Left / Right degree	- / 25		
Hydraulic oil (Reservoir/System)		gal (ℓ)	11.9 (45) / 20.9 (79)		
Fuel reservoir		gal (ℓ)	19.8 (75)		
Operating weight (Including operator's weight @ 175 lbs.)	Rubber Canopy / Cab	lbs. (kgf)	12200 (5535) / 12400 (5625)		12620 (5725) / 12820 (5815)
	Steel Canopy / Cab	lbs. (kgf)	-		12840 (5825) / 13040 (5915)

* OPG (Top Guard Level I) in accordance with ISO10262 is equivalent in definition to FOPS (Falling Object Protective Structure). The company reserves the right to change the above specifications without notice. This brochure is for descriptive purposes only. Please contact your local Kubota dealer for warranty information. For your safety, Kubota strongly recommends the use of a Rollover Protective Structure (ROPS) and seat belt for almost all applications.

DIMENSIONS



KX Series

Specifications

KX080-4

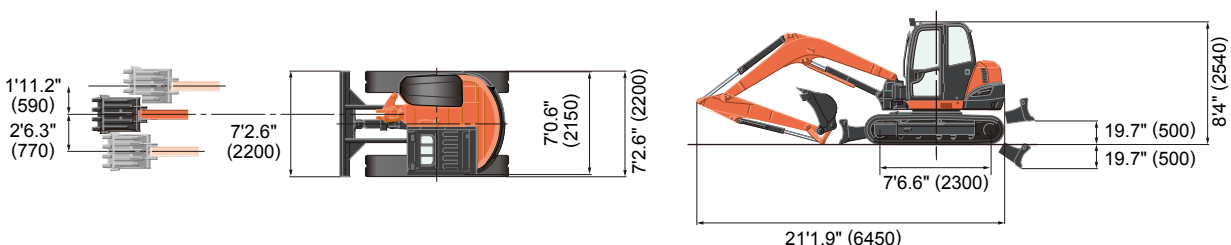


Model		KX080-4	KX080-4 Angle Blade
Type of cabin		ROPS / OPG(Top Guard, Level I)	
Type of tracks		Rubber / Steel	
Engine	Model	Kubota V3307-CR-TE4	
	Output (SAE J1995 gross)	HP (kW)/rpm	66.6 (49.7) / 2000
	Output (SAE J1349 net)	HP (kW)/rpm	62.3 (46.5) / 2000
	Displacement	cu. in. (cc)	203.3 (3331)
Dimensions	Overall length	ft. in. (mm)	21'1.9" (6450)
	Overall height	ft. in. (mm)	8'4" (2540)
	Overall width	ft. in. (mm)	7'2.6" (2200)
	Min. ground clearance	in. (mm)	15.4" (390)
Hydraulic system	Pump capacity	GPM (ℓ/min)	19.0 (72.0) Variable × 2 / 17.6 (66.6) Gear × 1
	Auxiliary hydraulic flow	GPM (ℓ/min)	26.4 (100) / 17.6 (66.6)
	Max. breakout force	Bucket / Arm lbf. (kgf)	14660 (6650) / 8554 (3880)
Drive system	Travel speed	Low / High mph (km/h)	1.7 (2.7) / 3.1(4.9)
	Max. traction force	Low speed lbf. (kgf)	14615 (6630)
	Tumbler distance	ft. in. (mm)	7'6.6" (2300)
	Crawler length	ft. in. (mm)	9'6.2" (2900)
	Shoe width	Rubber / Steel in. (mm)	17.7" (450) / 17.7" (450)
	Ground contact pressure	Rubber / Steel psi (kgf/cm ²)	5.23 (0.367) / 5.35 (0.376) 5.47 (0.385) / 5.60 (0.394)
	Swing system	Unit swing speed	rpm
Boom swing angle		Left / Right degree	70 / 60
Blade	Dimensions	Width ft. in. (mm)	7'2.6" (2200)
		Height ft. in. (mm)	1'7.7" (500) 1'8.1" (510)
	Max. lift above ground	in. (mm)	19.7" (500) 22.8" (580)
	Max. drop below ground	in. (mm)	19.7" (500) 25.2" (640)
	Angle	degree	— 25
Hydraulic oil (reservoir / system)	gal (ℓ)	19.8 (75) / 35.7 (135)	
Fuel reservoir	gal (ℓ)	30.4 (115)	
Operating weight (Including operator's weight @ 175 lbs.)	Rubber / Steel lbs. (kg)	18280 (8290) / 18390 (8340)	19140 (8680) / 19250 (8730)

* OPG (Top Guard Level I) in accordance with ISO10262 is equivalent in definition to FOPS (Falling Object Protective Structure).

The company reserves the right to change the above specifications without notice. This brochure is for descriptive purposes only. Please contact your local Kubota dealer for warranty information. For your safety, Kubota strongly recommends the use of a Rollover Protective Structure (ROPS) and seat belt for almost all applications.

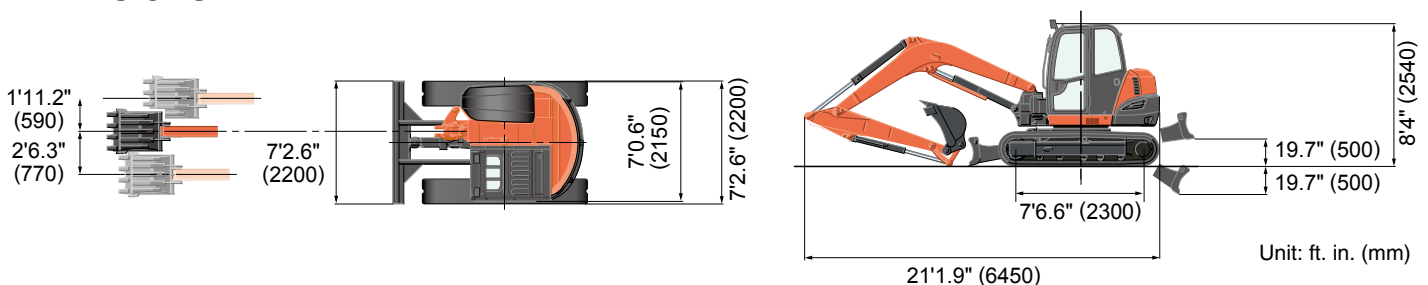
DIMENSIONS



SPECIFICATIONS

Model		KX080-4S		KX080-4S Angle Blade	
Type of cabin		ROPS / OPG (TOP Guard, Level I)			
Type of tracks		Rubber / Steel			
Engine	Model		Kubota V3307-CR-TE4		
	Output (SAE J1995 gross)	HP (kW)/rpm	66.6 (49.7) / 2000		
	Output (SAE J1349 net)	HP (kW)/rpm	62.3 (46.5) / 2000		
	Displacement	cu. in. (cc)	203.3 (3331)		
Dimensions	Overall length	ft. in. (mm)	21'1.9" (6450)		
	Overall height	ft. in. (mm)	8'4" (2540)		
	Overall width	ft. in. (mm)	7'2.6" (2200)		
	Min. ground clearance	in. (mm)	14.0 (355)		
Hydraulic system	Pump capacity	GPM (ℓ/min)	22.3 (84.6) Variable × 2		
	Auxiliary hydraulic flow	GPM (ℓ/min)	26.4 (100) / 17.6 (66.6)		
	Max. breakout force	Bucket / Arm	lbf. (kgf)	14660 (6650) / 8554 (3880)	
Drive system	Travel speed	Low / High	mph (km/h)	1.7 (2.7) / 3.0 (4.8)	
	Max. traction force	Low speed	lbf. (kgf)	14878 (6750)	
	Tumbler distance		ft. in. (mm)	7'6.6" (2300)	
	Crawler length		ft. in. (mm)	9'6.2" (2900)	
	Shoe width	Rubber / Steel	in. (mm)	17.7" (450) / 17.7" (450) (opt. 24" (610))	
	Ground contact pressure	Rubber / Steel	psi (kgf/cm ²)	5.25 (0.369) / 5.36 (0.378)	5.49 (0.386) / 5.63 (0.396)
Swing system	Unit swing speed		rpm	10.2	
	Boom swing angle	Left / Right	degree	70 / 60	
Blade	Dimensions	Width	ft. in. (mm)	7'2.6" (2200)	
		Height	ft. in. (mm)	1'7.7" (500)	1'8.1" (510)
	Max. lift above ground		in. (mm)	19.7" (500)	
	Max. drop below ground		in. (mm)	19.7" (500)	
	Angle		degree	— / 25	
Hydraulic oil (reservoir / system)			gal (ℓ)	19.8 (75) / 35.7 (135)	
Fuel reservoir			gal (ℓ)	30.4 (115)	
Operating weight (Including operator's weight @ 165 lbs.)		Rubber / Steel	lbs. (kg)	18365 (8330) / 18475 (8380) / 19225 (8720) / 19335 (8770)	

DIMENSIONS



Kubota Tractor Corporation reserves the right to change the stated specifications without notice. This brochure is for descriptive purposes only and reasonable efforts were used to set forth the contained information; some items shown may be optional and some products shown may not be available at all dealerships. Kubota disclaims all representations and warranties, express or implied, or any liability from the use of this brochure. For complete warranty, safety and product information, consult your local Kubota dealer and the operator's manual. Power (HP/KW) and other specifications are based on various standards or recommended practices. For your safety, Kubota strongly recommends the use of a Rollover Protective Structure (ROPS) and seat belt in almost all applications. This brochure is intended for the United States and US territories only. For information regarding Kubota products or services outside these areas, see Kubota Corporation's global web site. Kubota does not provide parts, warranty or service for any Product which is re-sold or retained in any country other than the country for which the Product(s) were designed or manufactured.

©2016 Kubota Corporation



KUBOTA TRACTOR CORPORATION

Kubota Tractor Corporation, 3401 Del Amo Boulevard, Torrance CA 90503
 Western Division: 1175 S. Guild Ave., Lodi, CA 95240 Tel (209) 334-9910
 Central Division: 14855 FAA Boulevard, Fort Worth, TX 76155 Tel (817) 571-0900
 Northern Division: 6300 at One Kubota Way, Groveport, OH 43125 Tel (614) 835-1100
 Southeast Division: 1025 Northbrook Parkway, Suwanee, GA 30024 Tel (770) 995-8855

Visit our web site at: www.kubota.com

