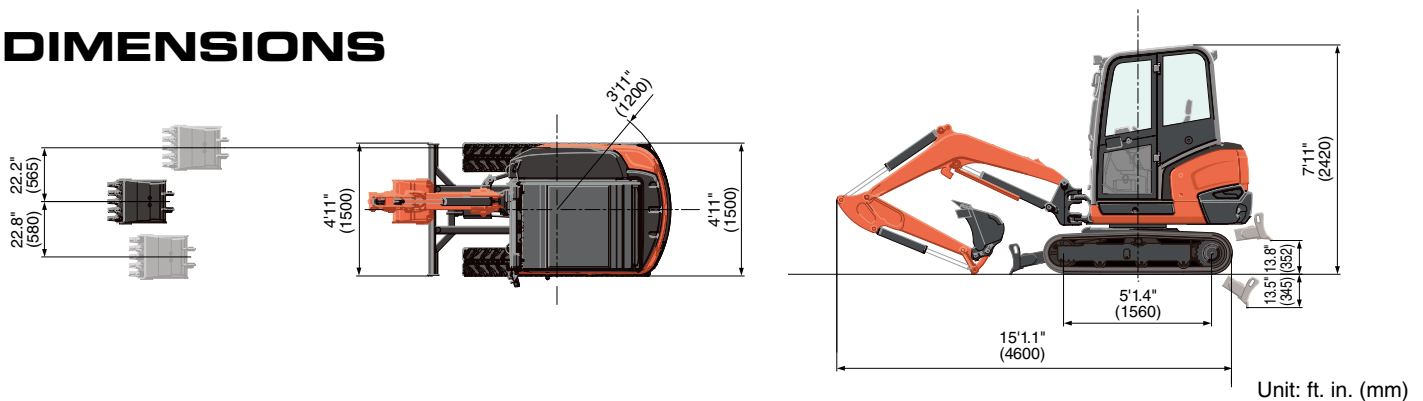


# SPECIFICATIONS

Model		KX030-4	
Type of ROPS/FOPS		Canopy / Cab	
Type of tracks		Rubber	
Engine	Model	V1505-E4-BH-3USA	
	Output (SAE J1995 gross)	HP (kW) / rpm	24.7 (18.4) / 2250
	Output (SAE J1349 net)	HP (kW) / rpm	23.7 (17.7) / 2250
Dimensions	Overall length	ft. in. (mm)	15'1.1" (4600)
	Overall height	ft. in. (mm)	7'11" (2420)
	Overall width	ft. in. (mm)	4'11" (1500)
	Min. ground clearance	in. (mm)	11.6" (295)
Hydraulic system	Pump capacity	gpm (ℓ/min.)	8.3 (31.5) × 2 / 4.7 (18) × 1
	Auxiliary hydraulic flow	gpm (ℓ/min.)	13.1 (49.5)
	Max. breakout force	Bucket / Arm lbs. (kgf)	6924 (3140.7) / 3484 (1580.6)
Drive system	Travel speed	Low / High mph (km/h)	1.7 (2.7) / 2.7 (4.3)
	Max. traction force	Low speed lbs. (kgf)	7330 (3325)
	Tumbler distance	ft. in. (mm)	5'1.4" (1560)
	Crawler length	ft. in. (mm)	6'5.9" (1980)
	Shoe width	Rubber in. (mm)	11.8" (300)
	Ground contact pressure	Canopy / Cab psi (kgf/cm <sup>2</sup> )	3.9 (0.27) / 4.0 (0.28)
Swing system	Unit swing speed	rpm	9.2
	Boom swing angle	Left / Right degree	76 / 57
Blade	Dimension	Width ft. in. (mm)	4'11" (1500)
		Height in. (mm)	11.8" (300)
	Max. lift above ground	in. (mm)	13.8" (352)
	Max. drop below ground	in. (mm)	13.5" (345)
Hydraulic oil (reservoir / system)	gal (ℓ)	9.0 (33.9) / 13.7 (52.0)	
Fuel reservoir	gal (ℓ)	12.7 (48.0)	
Operating weight (Includes operator weight 175lbs.)	Canopy / Cab lbs. (kgf)	6272 (2845) / 6426 (2915)	

# DIMENSIONS



Kubota Canada Ltd. reserves the right to change the stated specifications without notice. This brochure is for descriptive purposes only and reasonable efforts were used to set forth the contained information; some items shown may be optional and some products shown may not be available at all dealerships. Kubota disclaims all representations and warranties, express or implied, or any liability from the use of this brochure. For complete warranty, safety and product information, consult your local Kubota dealer and the operator's manual. Power (HP/KW) and other specifications are based on various standards or recommended practices. For your safety, Kubota strongly recommends the use of a Rollover Protective Structure (ROPS) and seat belt in almost all applications. This brochure is intended for Canada only. For information regarding Kubota products or services outside these areas, see Kubota Corporation's global web site. Kubota does not provide parts, warranty or service for any Product which is re-sold or retailed in any country other than the country for which the Product(s) were designed or manufactured.



## KUBOTA CANADA LTD.

Head Office:  
5900 14th Avenue, Markham, Ontario L3S 4K4  
TEL: (905) 294-7477

Visit our web site at: [www.kubota.ca](http://www.kubota.ca)

©2021 Kubota Corporation



**Kubota  
Genuine Parts**  
for maximum  
performance,  
durability and  
safety

